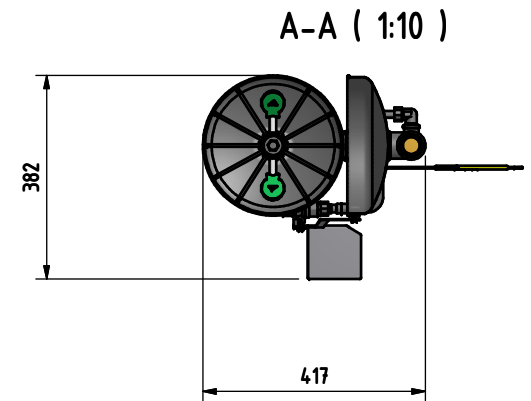


Min flow: 78 + 15 l/min



8223635